



E N G I N E E R E D A I R P R O D U C T S

ACOUSTIC TRANSFER GRILLES

GWGZ SERIES



GWGZ
SERIES

PERFORMANCE DATA



GWGZD/GWGZC

- Wall/Door
- Sound Attenuating
- Transfer

Design:

Door/Wall Diffuser:

Frame: Aluminium
 Vanes: Steel
 Finish: Epoxy
 Colour: White RAL 9010

Available types:

W G Z - - O

W Wall Diffuser
G Sound Attenuating
Z Non-vision

Application:

The sound attenuating door/wall diffuser type GWGZD (double sided) / GWGZC (single sided) is suitable for transfer of air. The diffuser can be mounted to the door or wall. The diffusers reduce the transfer of noise between linked rooms. The double sided GWGZD is to suit a door or partition with a minimum of 76mm thickness.

Features:

Sound attenuating: see table
 Free area: 20-25%
 (dependent on the measurement of the height)

Available dimensions:

height	width						
	325	425	525	625	825	1025	1225
199	•	•	•	•	•	•	•
279	•	•	•	•	•	•	•
359	•	•	•	•	•	•	•
439	•	•	•	•	•	•	•
519	•	•	•	•	•	•	•
599		•	•	•	•	•	•
679		•	•	•	•	•	•
759				•	•	•	•

Remarks:

The stated dimensions sizes in mm (hole or duct size).
 The actual width is W-5 mm.
 The actual height is H-5 mm.

For the preferable dimensions see the performance data.
 Alternative sizes are available upon request.

- Frame, fixed 35 mm

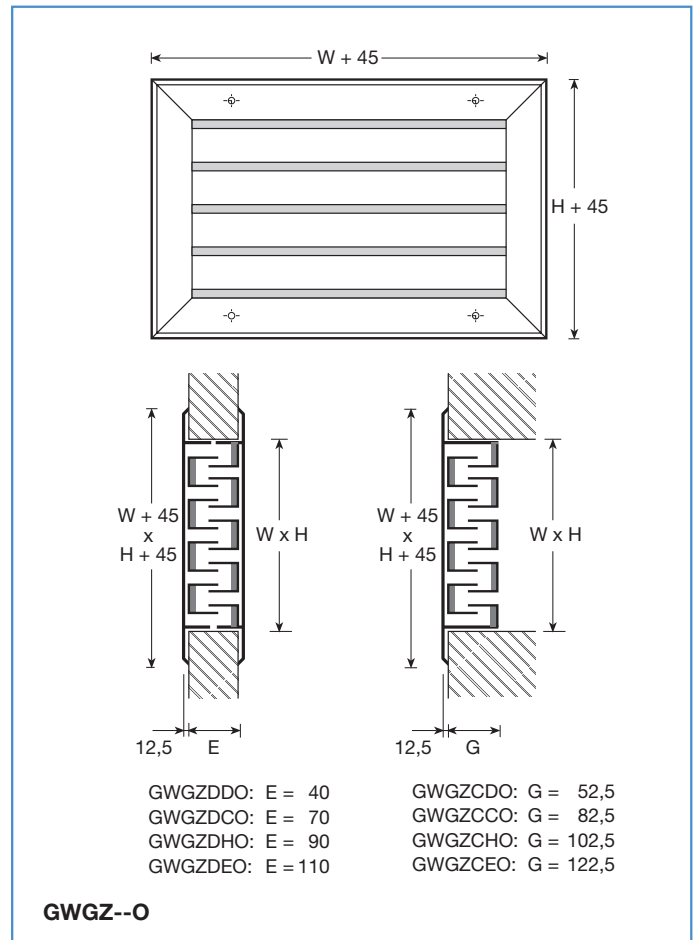
- D** Double-sided
- C** One-sided

- Double-sided Single-sided

Thickness	Depth
D = 40	D = 52,5
C = 70	C = 82,5
H = 90	H = 102,5
E = 110	E = 122,5

O Not applicable

Dimensions:



GWGZDDO: E = 40	GWGZCDO: G = 52,5
GWGZDCO: E = 70	GWGZCCO: G = 82,5
GWGZDHO: E = 90	GWGZCHO: G = 102,5
GWGZDEO: E = 110	GWGZCEO: G = 122,5

PERFORMANCE DATA

Pressure drop sound attenuating transfer grille GWGZD and GWGZC in Pa

air volume		free area in cm ²																			
m ³ /s	m ³ /h	40	50	60	80	100	125	150	200	250	300	400	500	600	800	1000	1250	1500	2000	2500	3000
0.010	36	6	4	3	2																
0.013	45	10	6	4	2	2															
0.015	54	14	9	6	4	2															
0.020	72	25	16	11	6	4	3	2													
0.025	90		25	17	10	6	4	3	2												
0.030	108			25	14	9	6	4	2												
0.040	144				25	16	10	7	4	3	2										
0.050	180					25	16	11	6	4	3	2									
0.060	216						23	16	9	6	4	2									
0.080	288							28	16	10	7	4	3	2							
0.100	360								25	16	11	6	4	3	2						
0.125	450									25	17	10	6	4	2						
0.150	540										25	14	9	6	4	2					
0.200	720											25	16	11	6	4	3	2			
0.250	900												25	17	10	6	4	3	2		
0.300	1080													25	14	9	6	4	2	2	
0.400	1440														25	16	10	7	4	2	2
0.500	1800															25	16	11	6	4	3
0.600	2160																23	16	9	6	4
0.800	2880																	28	16	11	7
1.000	3600																		25	17	10
1.250	4500																			25	16
1.500	5400																				25

Preferred area when used in doors: 8 to 10 Pa

Free area sound attenuating transfer grille GWGZD and GWGZC in cm²

H	W=325	425	525	625	825	1025	1225
199	124	164	204	244	324	404	464
279	186	246	306	366	486	606	726
359	248	328	408	488	648	808	968
439	310	410	510	610	810	1010	1210
519	372	492	612	732	972	1212	1452
599		574	714	884	1134	1414	1694
679		656	816	976	1296	1616	1936
759				1098	1458	1818	2178

Damper of sound attenuating transfer grille GWGZD and GWGZC in dB measured at the diffuser

built in depth	intermediate frequency band in Hz							
	63	125	250	500	1K	2K	4K	8K
40 mm	8	9	6	6	12	22	23	21
110 mm	8	10	7	11	15	26	24	22

General:

Static pressure drop Ps in Pa.

The attenuation data are based on a compared measurement of a hole of 525 × 519 mm, and a diffuser fitted into this hole.

In critical cases, such as high-noise areas and/or a small distance among the noise source, diffuser and receiver, consult an acoustic advisor.

Interpolation is acceptable.

PRODUCT RANGES

GRILLES	DIFFUSERS	LOUVRES
Linear Bar	Linear Slot	External
Ceiling	Louvre Face	Circular
Sidewall	Sidewall	Door
Floor	Perforated Face	Screens
Computer Floor	Circular	Penthouse
Cill	Swirl	Sand Louvres
Single & Double Deflection	Ceiling	Roof Louvres
Egg Crate	Sidewall Fixed & Adjustable	
Hinged Core	Jet Flow / Nozzle	
Door Transfer	Repus Displacement Ventilation	
Security and Prison		
Supply and Extract Valves		

BESPOKE SERVICE

We offer a bespoke design service where standard products do not fit the requirements of the build, we also supply products in special colours and finishes including bronze, brass, gold and chrome to meet Architectural design specifications.



ENGINEERED AIR
PRODUCTS

Colman Air Distribution Limited

Unit 7, High Carr Business Park
Decade Close, Newcastle-Under-Lyme
Stoke-on-Trent, Staffordshire ST5 7UH

Telephone: +44 (0)1782 564383
www.colmanad.com

We reserve the right to alter specifications without notice and products will sometimes be supplied with modifications which do not strictly comply with the descriptions and illustrations in this publication.