



E N G I N E E R E D   A I R   P R O D U C T S

# DRUM LOUVRE

## DJ SERIES



**DJ**  
SERIES

# DJ SERIES DRUM LOUVRES



## Application

Colman's DJ Drum Louvre terminal has been specially designed to ensure that long throws can be achieved at relatively low noise levels.

## Description

The DJ Drum Louvre terminal product is ideally suited for exposed duct or sidewall installations in environments such as leisure centres, factories or warehouses.

The vanes are fully adjustable to give a full spread and directional control which enable the diffuser to be set-up for optimum conditions in both heating and cooling modes.

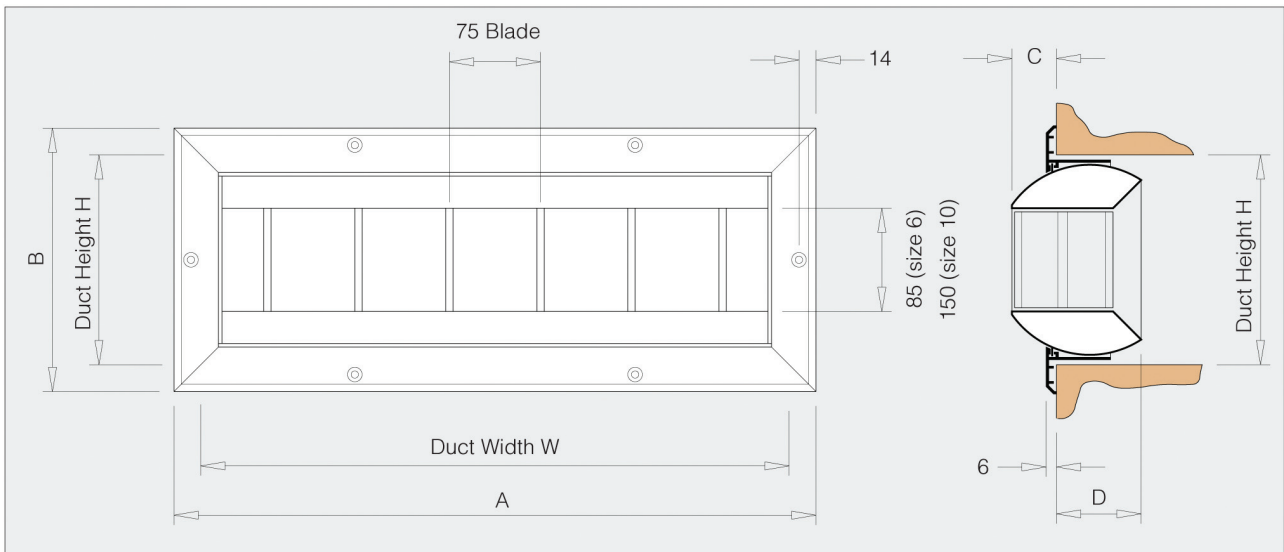
## Fixing

The diffuser can be supplied in natural Mill finish, satin anodised or powder coated to an available colour within the RAL/BS range.

Fixing through the flange with countersunk screws (not provided by Colman) is the usual installation method.

# DIMENSIONS, OPTIONS & ORDER CODES

## Drum Jet Diffuser Dimensions



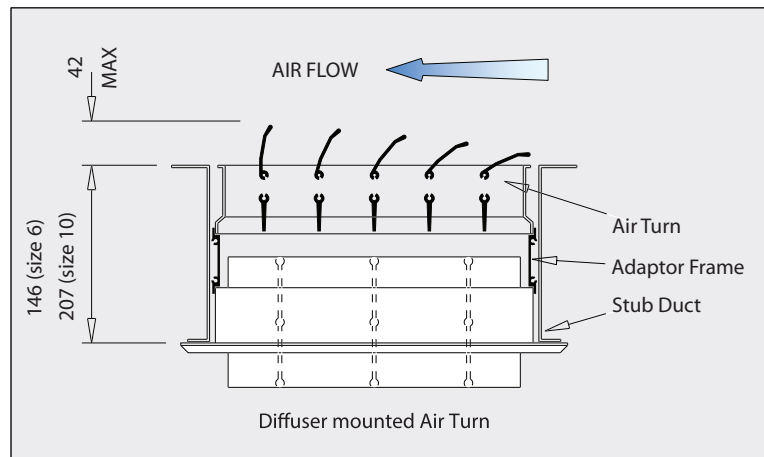
SIZE	DIMENSIONS (mm)						WEIGHT (Kg)
	A	B	W	H	C	D	
906	300	217	261	170	36	87	1.5
1206	376	217	337	170	36	87	1.7
1806	529	217	490	170	36	87	2
2406	681	217	642	170	36	87	2.5

SIZE	DIMENSIONS (mm)						WEIGHT (Kg)
	A	B	W	H	C	D	
2010	579	319	540	271	63	138	5.5
2510	706	319	667	271	63	138	6.5
3010	833	319	794	271	63	138	7.0
3510	960	319	921	271	63	138	7.5

### Volume Equalising Deflector

Suitable for installations with short stub ducts and high air velocities in the main branch. The two sets of blades can be individually adjusted to give an even velocity distribution and can be adjusted for volume control.

For easier volume control, an opposed blade damper can be supplied in addition to the VED.



## Options and Order Codes

1. SERIES	2. FRAME	3. ACCESSORIES	5. ARRANGEMENT	6. FIXING	7. FINISH
<b>DJ</b>	<b>0</b> None	<b>B</b> Opposed Blade Damper <b>R</b> Rhomboidal <b>0</b> No Damper <b>V</b> Volume Equalising Deflector <b>1</b> Opposed Blade Damper & Volume Equalising Deflector	<b>0</b> None	<b>0</b> None	<b>P</b> Powder Coated <b>0</b> Mill Finish

DJ0B00P

# PERFORMANCE DATA

DJ	Air Volume								
	m <sup>3</sup> /h	360	720	1080	1440	2160	2880	3600	4320
	l/s	100	200	300	400	600	800	1000	1200
906	Jet Throw	3.5	16						
	Pa	20	75						
	NC	13	26						
1206	Jet Throw	2	9.5	22					
	Pa	12	45	100					
	NC		22	32					
1806	Jet Throw		5	15	26				
	Pa		24	48	77				
	NC		16	25	31				
2406	Jet Throw		3.5	9	17	36			
	Pa		10	25	45	98			
	NC		10	18	26	34			
2010	Jet Throw		1.8	4	8	18	34		
	Pa			12	22	50	80		
	NC			14	20	28	35		
2510	Jet Throw			3	5	14	25	37	50
	Pa			10	12	26	50	75	105
	NC			11	15	24	30	35	38
3010	Jet Throw			2.2	4	10	18	28	40
	Pa				10	18	40	50	75
	NC				10	20	27	32	30
3510	Jet Throw				3.2	7.5	15	22	30
	Pa					14	25	40	55
	NC					18	25	30	33

## Throws

Jet throws are based on isothermal conditions to a terminal velocity of 0.25m/s with straight vanes. Throws should be corrected in accordance with the following table to compensate for vane angle adjustments.

VANE ANGLE	0°	5°	10°	20°	30°	40°	60°
THROW FACTOR	1.0	0.9	0.82	0.68	0.6	0.52	0.4

## Noise Levels

Noise data is expressed in terms of NR level with a room absorption factor of 8db.

## Selection Example

DJ 2406 Drum Jet supplying an air flow rate of 400 l/s.

**Throw:** 17m  
**Pressure Drop:** 45Pa  
**Noise Level:** NR26

# PRODUCT RANGES

GRILLES	DIFFUSERS	LOUVRES
Linear Bar	Linear Slot	External
Ceiling	Louvre Face	Circular
Sidewall	Sidewall	Door
Floor	Perforated Face	Screens
Computer Floor	Circular	Penthouse
Cill	Swirl	Sand Louvres
Single & Double Deflection	Ceiling	Roof Louvres
Egg Crate	Sidewall Fixed & Adjustable	
Hinged Core	Jet Flow / Nozzle	
Door Transfer	Repus Displacement Ventilation	
Security and Prison		
Supply and Extract Valves		

## BESPOKE SERVICE

We offer a bespoke design service where standard products do not fit the requirements of the build, we also supply products in special colours and finishes including bronze, brass, gold and chrome to meet Architectural design specifications.



ENGINEERED AIR  
PRODUCTS

### Colman Air Distribution Limited

Unit 7, High Carr Business Park  
Decade Close, Newcastle-Under-Lyme  
Stoke-on-Trent, Staffordshire ST5 7UH

Telephone: +44 (0)1782 564383  
[www.colmanad.com](http://www.colmanad.com)

We reserve the right to alter specifications without notice and products will sometimes be supplied with modifications which do not strictly comply with the descriptions and illustrations in this publication.