



E N G I N E E R E D A I R P R O D U C T S

FLOOR SWIRL DIFFUSERS
B SERIES



B

SERIES

B SERIES FLOOR SWIRL DIFFUSER



Application:

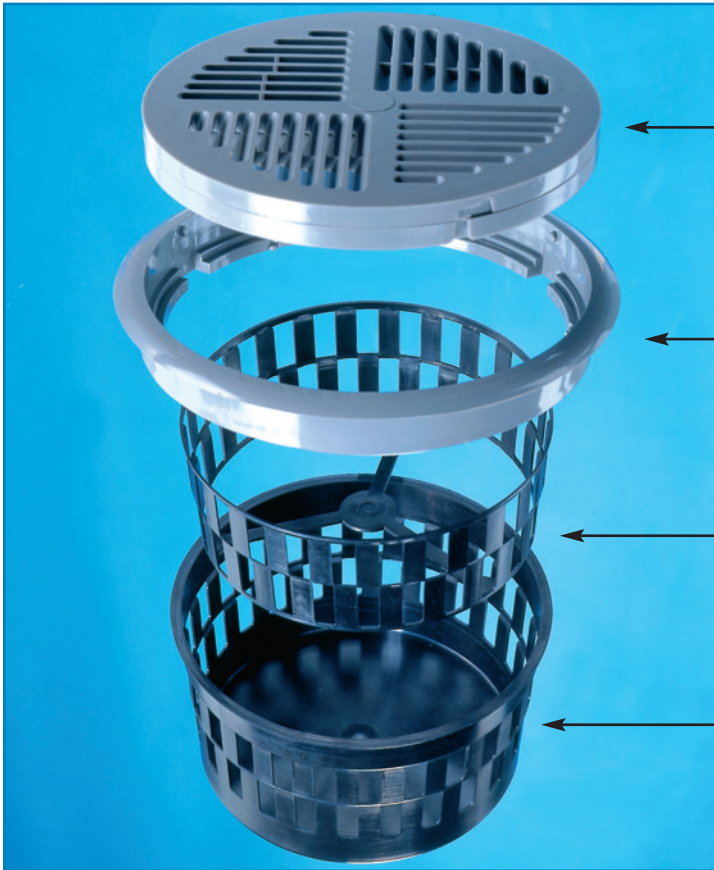
The B series floor/swirl diffusers are designed for use in raised access flooring systems where the floor cavity is used as a pressurised supply air plenum.

The B series core design achieves a local ventilation within the occupied zone of 1.80 m. where a specific room air condition is required to maintain optimum comfort conditions for people or machinery. Above this zone, a warm air cushion develops below the ceiling where the warm and used-up air can be collected and extracted.

BTP Features:

- High impact Polycarbonate manufacture.
Complies with U/L Standard 94 for flammability.
- Nominal size 200mm diameter.
Low profile design.
- Dust/dirt collection basket catches items which may fall through the diffuser faceplate.
Removable for cleaning.
- Optional flow regulator damper which can be adjusted without removing the diffuser core.
- Low pressure drop core/damper assembly design.
- Carpet trim ring secures carpet and prevents edges fraying.
- Simple and secure installation by concealed mounting clamps or threaded mounting ring.
- Grey or Black as standard. Other colours available on request.

BTP



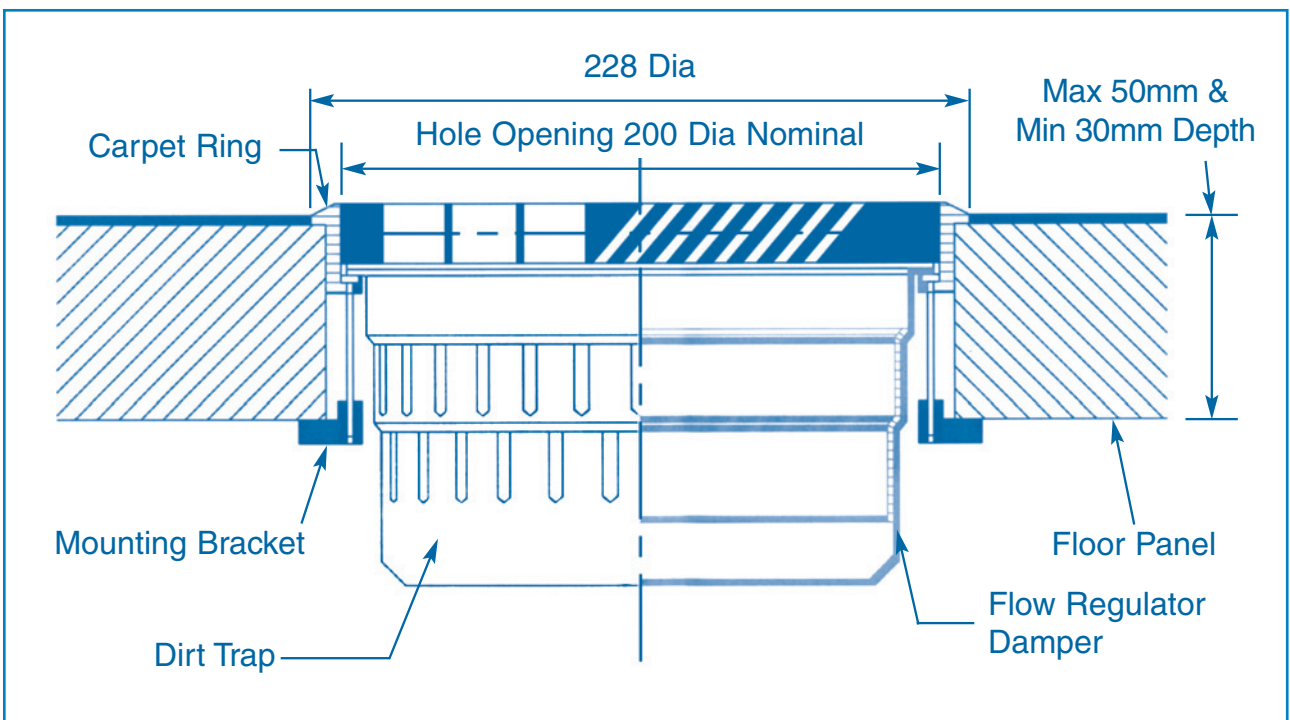
Floor diffuser Core 200mm Diameter

Carpet ring with mounting clamp

Manually adjusted flow damper (optional)
requires dust/dirt collection basket

Dust/dirt collection basket (optional)

BTP - SECTION

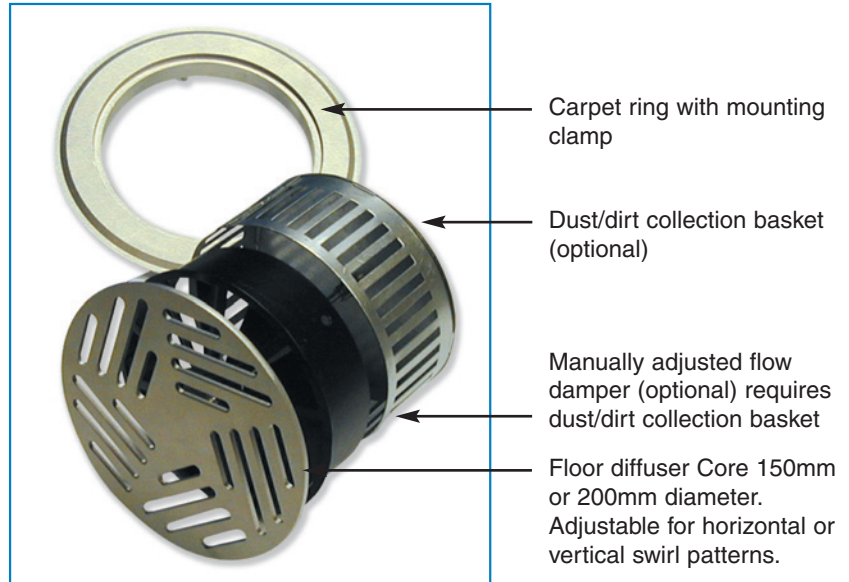


BTG & BTZ

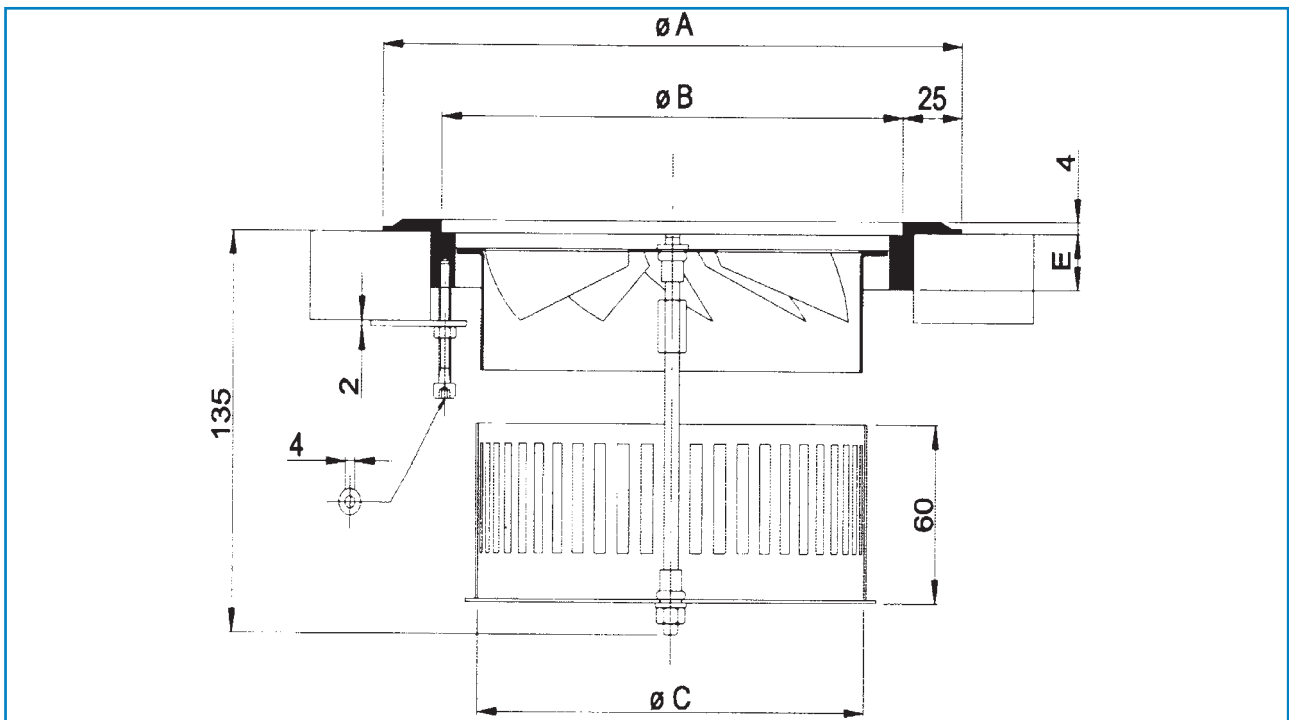
The BTG floor swirl outlet is manufactured from aluminium and is used for supply of cooled and heated air. The BTZ floor swirl outlet has a stainless steel plate and is used for supply of cooled and heated air.



The BTZ floor swirl outlet.



BTG & BTZ - SECTION

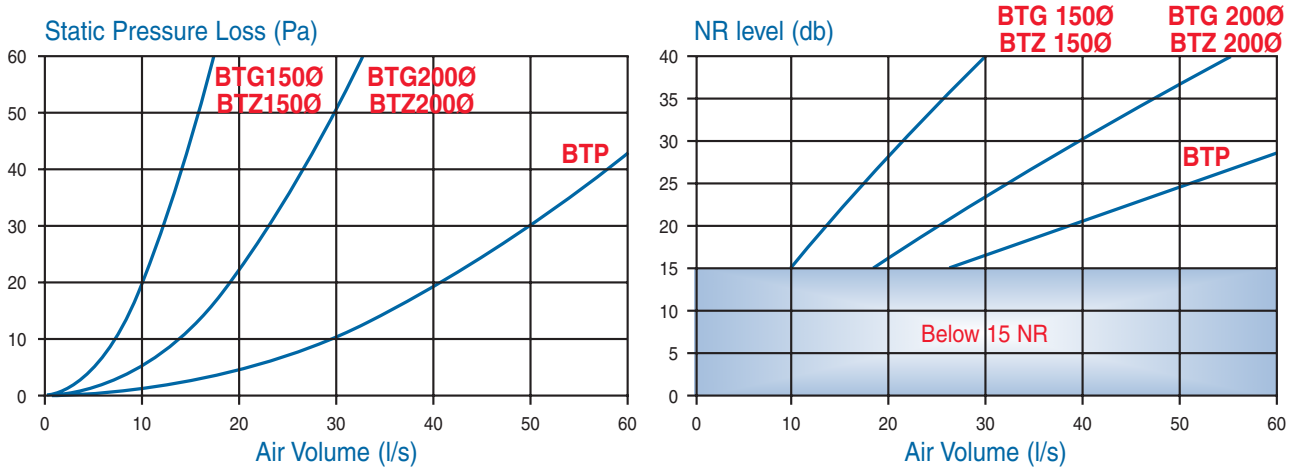


Size	ØA	ØB	ØC	E
150	190	140	124	14
200	240	190	160	19

Design Changes Reserved

PERFORMANCE DATA

The technical data detailed below has been derived from tests conducted at independent laboratories. The static pressure loss and NR levels are given for the units mounted in a pressurised floor with dampers fully open.



Note: Correction factor for model BTG with vertical air pattern = multiply by 0.8

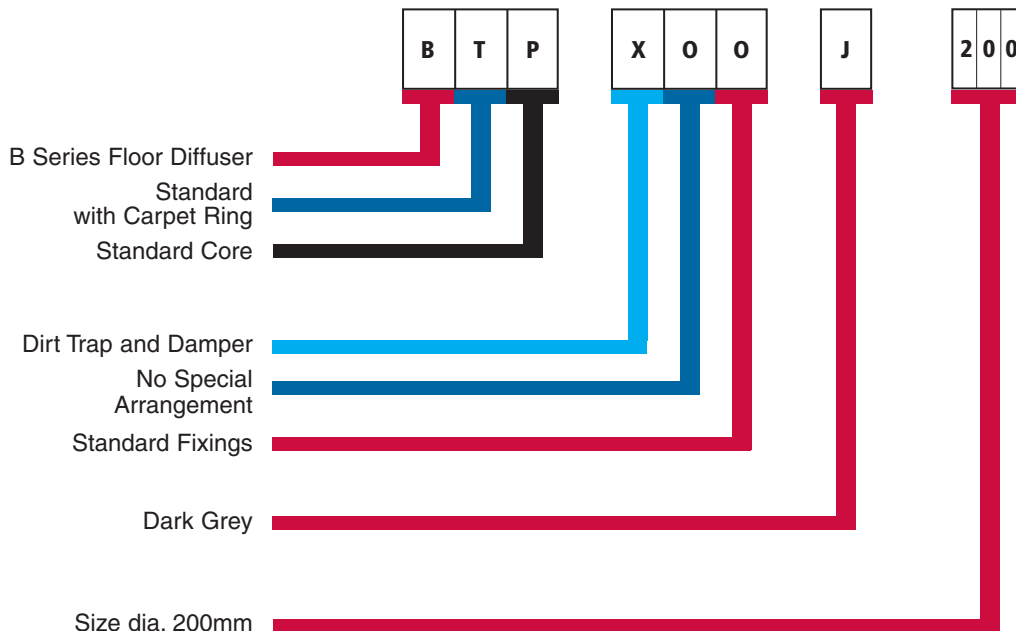
NR level includes 8dB correction for room allowance.

OPTIONS & ORDER CODES - FLOOR DIFFUSER (CIRCULAR)

1	2 FRAME	3 FACEPLATE	4 ACCESSORIES	5 ARRANGEMENT	6 FIXING	7 FINISH
	B T Standard With Carpet Trim Ring F Fixed Non Removable Faceplate (Z Faceplate Only)	P Polycarbonate Z Swirl (Stainless) G Swirl (Aluminium) 1 Special	0 None X Standard with Dirt Trap and Damper 1 Special	0 None 1 Special	0 Standard Mounting Bracket F Fixing Ring 1 Special	J Grey 8 Matt black M Aluminium Ball Blasted S Stainless Steel 1 Special

Note: The items shown in red print above and in the order code example below are the standard options for this product. Unless shown otherwise on any quotation or order the units will be supplied in this configuration.

EXAMPLES OF ORDER CODES



INSTALLATION

Instructions on how to install the diffuser are supplied with each order. Copies are available upon request

Design Changes Reserved

PRODUCT RANGES

GRILLES	DIFFUSERS	LOUVRES
Linear Bar	Linear Slot	External
Ceiling	Louvre Face	Circular
Sidewall	Sidewall	Door
Floor	Perforated Face	Screens
Computer Floor	Circular	Penthouse
Cill	Swirl	Sand Louvres
Single & Double Deflection	Ceiling	Roof Louvres
Egg Crate	Sidewall Fixed & Adjustable	
Hinged Core	Jet Flow / Nozzle	
Door Transfer	Repus Displacement Ventilation	
Security and Prison		
Supply and Extract Valves		

BESPOKE SERVICE

We offer a bespoke design service where standard products do not fit the requirements of the build, we also supply products in special colours and finishes including bronze, brass, gold and chrome to meet Architectural design specifications.



ENGINEERED AIR
PRODUCTS

Colman Air Distribution Limited

Unit 7, High Carr Business Park
Decade Close, Newcastle-Under-Lyme
Stoke-on-Trent, Staffordshire ST5 7UH

Telephone: +44 (0)1782 564383
www.colmanad.com

We reserve the right to alter specifications without notice and products will sometimes be supplied with modifications which do not strictly comply with the descriptions and illustrations in this publication.